



ASSEMBLY INSTRUCTIONS

CARE & MAINTAINANCE

SAFETY & STANDARDS

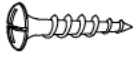
# WINDSOR DRESSER

## ASSEMBLY INSTRUCTIONS

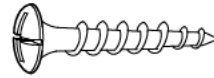


## Hardware List

(A) Ø3x15mm Short Screw x 2



(B) Ø4x38mm Long Screw x 2



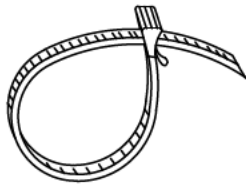
(C) Brackets x 2



(D) Nylon Anchor x 2

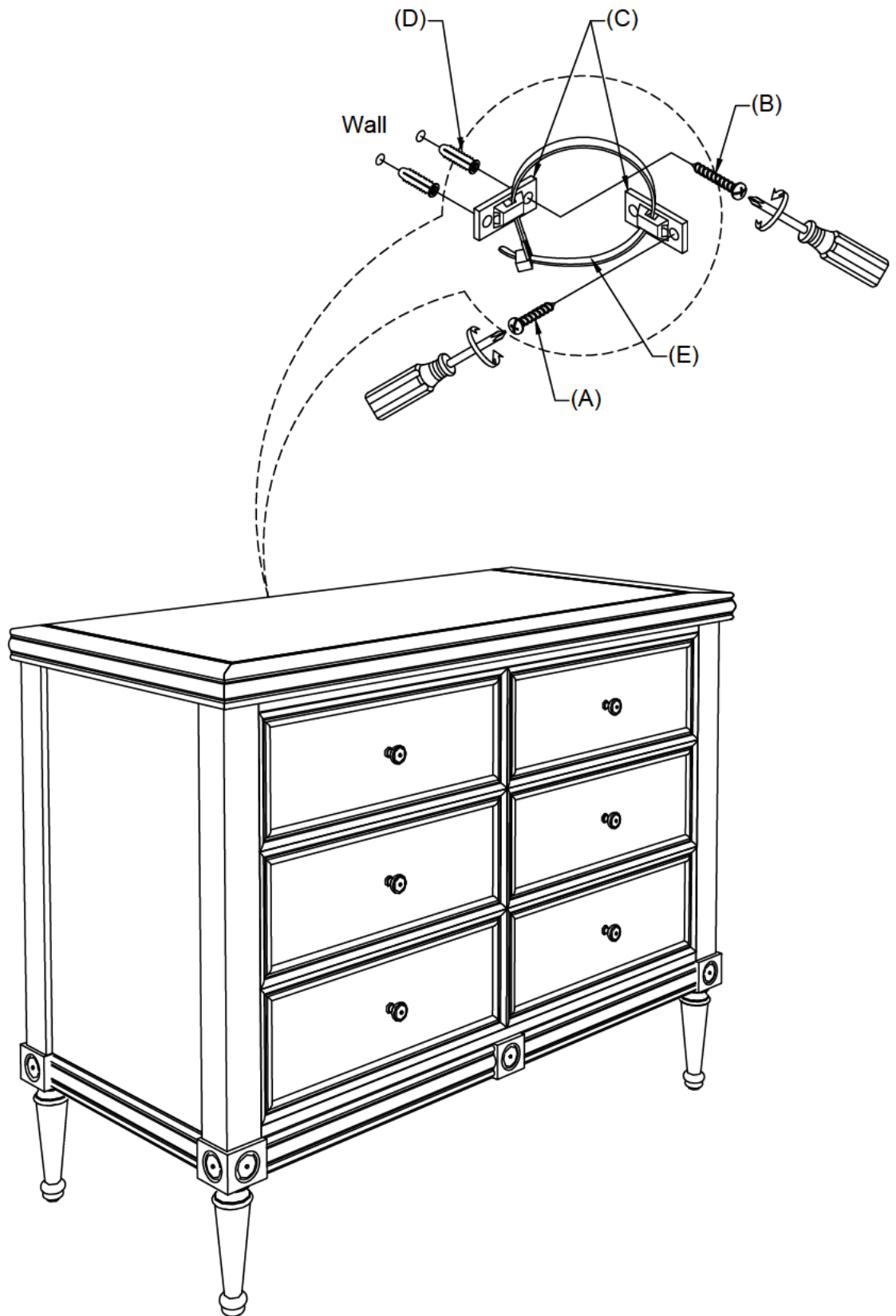


(E) Locking Strap x 1



YOU ARE FULLY RESPONSIBLE AND LIABLE IN ASSESSING ACTUAL WALL FIXINGS REQUIRED TO SUIT YOUR OWN WALL CONDITIONS AND STRUCTURE. THESE INSTRUCTIONS ARE FOR ILLUSTRATIVE PURPOSES ONLY. WE WILL NOT BE HELD LIABLE WHATSOEVER IN WAY FROM YOUR USE OR NON USE OF THIS ANTI-TIP KIT

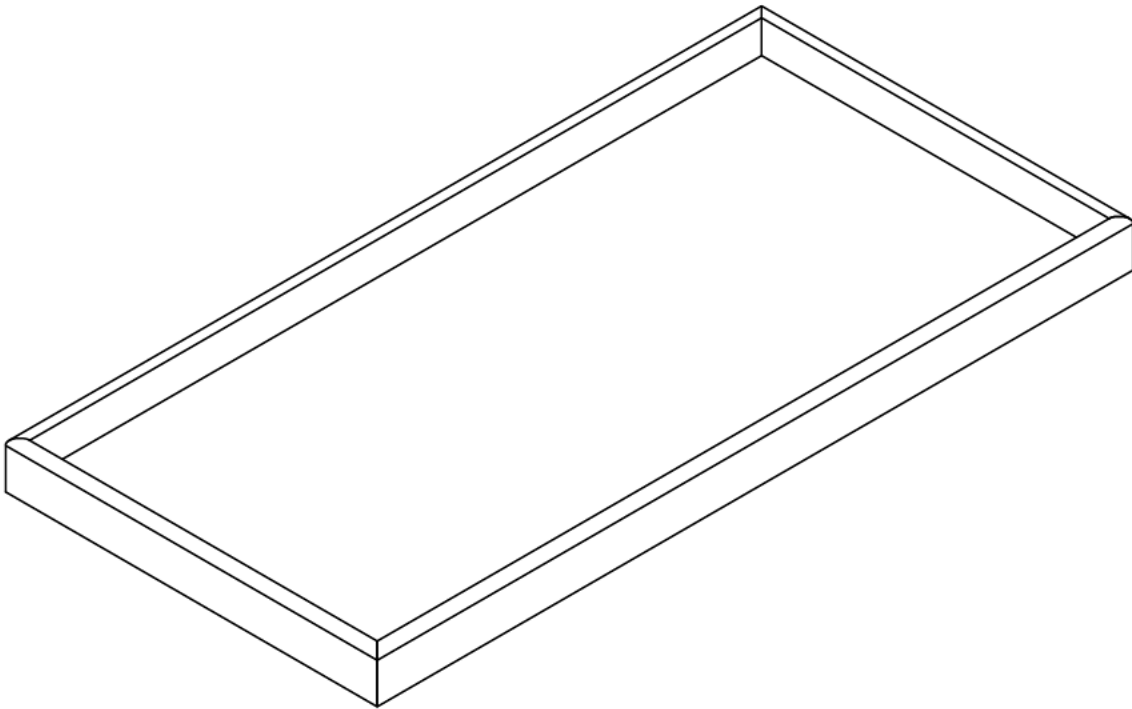
# Assembly Instructions



# TEDDY ONE

Topper

## ASSEMBLY INSTRUCTIONS

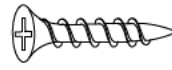


## Hardware List

(A) Bracket x 2

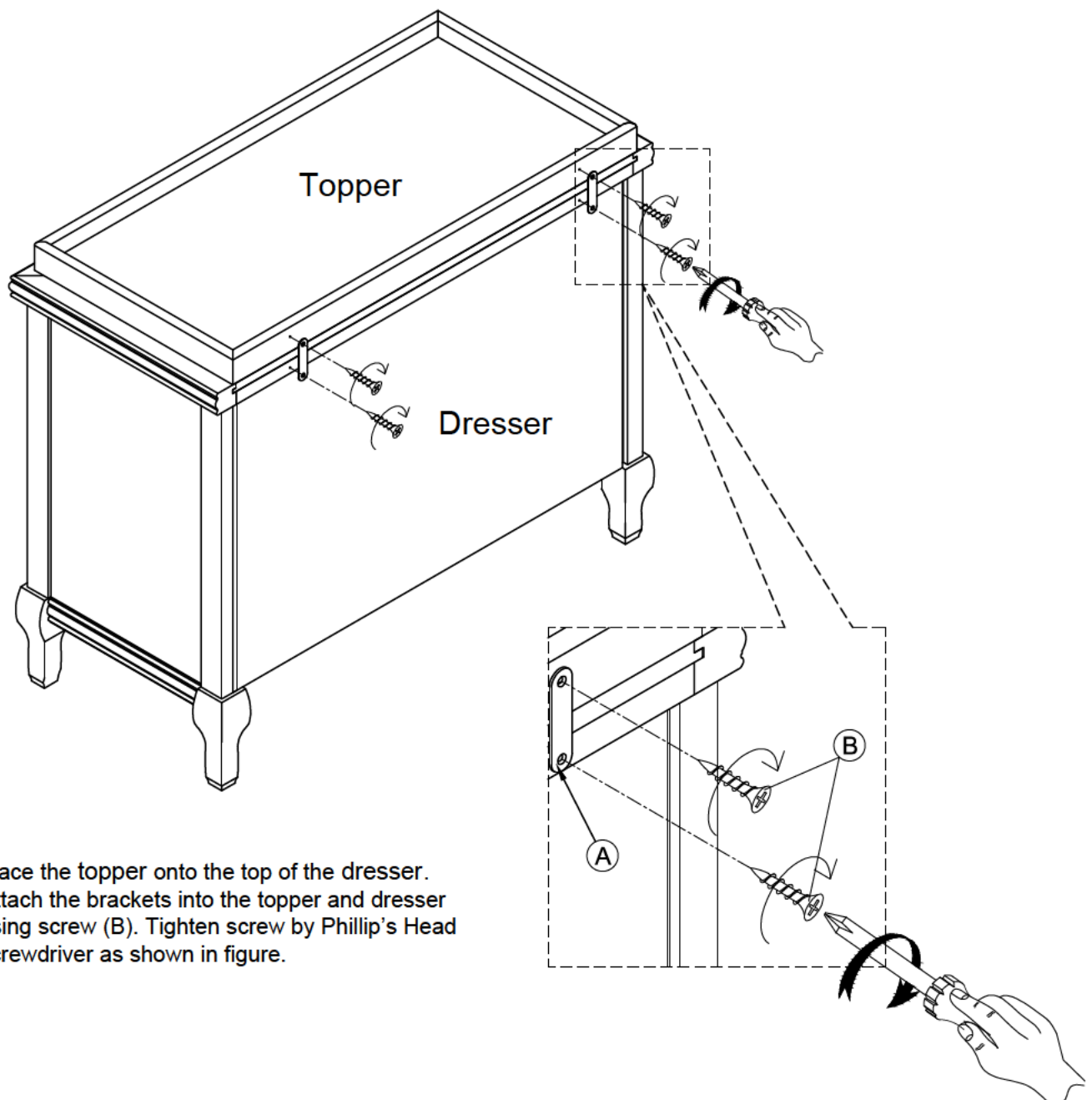


(B) Ø3.5x15mm Screw x 4



---

## Assembly Instructions



Place the topper onto the top of the dresser.  
Attach the brackets into the topper and dresser  
using screw (B). Tighten screw by Phillip's Head  
screwdriver as shown in figure.

## CARE & MAINTENANCE

**General** - Ensure that the products are assembled in full accordance with the instructions provided and used in a domestic environment. To minimize the effects of normal wear and tear, regularly carry out these simple care and maintenance instructions.

**Wood** - Use a dry, soft cotton cloth, don't place wet or hot objects on your wooden furniture. Use coasters to prevent damage, and wipe up spills promptly. Excessive or prolonged exposure to sunlight can fade the color of your furniture and dry the wood.

**Fabric** - Vacuum your upholstered furniture weekly for general cleaning and to remove surface soil, this also prevents dirt from becoming embedded into the fibers. You can also use a brush to gently whisk the dirt away. Make sure to always use a soft bristled brush so that you don't snag the fabric. To protect the finish, do not apply abrasives or household cleaners. Blot spills immediately, and wipe with a clean, damp cloth.

**Leather** - Under normal usage/conditions, regular dry-cloth dusting and vacuum cleaning in crevices or along the bottom is all that is necessary to clean your furniture. The use of a good leather conditioner is recommended every 6-12 months. Protect your furniture from sun and direct light.

**Cotton Liners** - Hand or machine wash (gentle cycle; 30°C) with mild soap or dry clean. Do not use bleach or stain remover. Wash separately. Rinse in cool water and add a little vinegar to maintain shining colors.

## STANDARDS

All TeddyOne furniture products are expertly crafted from the highest quality materials for enduring style. All our furniture products have been designed and tested to the highest safety standards, and comply with (subject to legislative revision):

- BSEN:761 for cot beds
- BSEN:12221 for dressers, toppers
- BSEN:4875 for wardrobes
- BSEN:12520 for rocking chair
- BSEN:5852 for flame retardant
- BSEN:1877/7177 for cot bed mattress
- BSEN:71 for low VOC emissions

Each product undergoes rigorous testing by independent laboratories for compliance with British Standards for cot bed safety standards. All of our furniture products meet or exceed these standards.

We use the latest low emissions paint technologies which have been tested and verified to meet stringent chemical emissions standards. The result is reduced

chemical exposure for you and your family, improved indoor air quality in your home giving you peace of mind over your family's health.

## **SAFETY**

Position your baby's cot away from direct sunshine, radiators, windows, heaters, lamps, wall decorations, and any furniture that can be used to climb out of the cot.

Put your baby to sleep on his back, with his feet at the bottom of his cot, to reduce the risk of sudden infant death syndrome (SIDS), or cot death.

Choose a good-quality mattress that feels firm and is at least 10cm deep. Make sure that the mattress fits the cot snugly, with no gaps at the sides.

When your baby can sit up, put the mattress in its middle position, remove mobiles and any toys that hang across or dangle from the cot.

When your baby can pull himself up, put the mattress in its lowest position so that he can't climb out.

Don't use a pillow or duvet in your baby's cot. For safe sleeping, your baby needs a surface that is firm and flat, and a duvet may make your baby too hot.

When the cot mattress is at its lowest height and the top rail is below your child's chest, it's time to convert the cot bed to toddler bed with the conversion panels.

Cords on curtains and blinds should be kept short, check that the chains and cords on your blinds and curtains are well out of your child's reach.

Secure wardrobes and dressers to walls with the supplied anti-tip kit to prevent them from falling over on your child. For the same reason, always remember to close drawers.

If you are using have the changing topper, always stay with your baby when you use it. Keep nappy-changing equipment, such as nappy sacks, toiletries, and wipes well out of your baby's reach.

Do not use the chair in its rocking or static setup beyond its intended purpose, the same applies for the ottoman.

All products are designed for domestic use/purpose, we will not be held liable for any improper or negligent use, or non-compliance with the provided assembly, care or safety instructions. If you are unsure how to use your product seek specialist advice or contact Customer Care.





27 OLD GLOUCESTER STREET  
LONDON  
UNITED KINGDOM  
WC1N 3AX

[www.teddyone.uk](http://www.teddyone.uk)

CUSTOMER CARE

03450536699

[customercare@teddyone.uk](mailto:customercare@teddyone.uk)